

VIA DRUS

power of heating

Hercules U 22 C/D

Cast-iron boiler for solid fuels



Hercules U 22 C/D

Fuel: coke, hard coal, lump wood

Power output: 11,7 - 58,1 kW

Alternative fuel: an option of conversion from solid fuel combustion to gas/oil fuels

Boiler characteristic

A universal cast-iron boiler attested by more than 200 000 users almost in the whole Europe is an appropriate for utilizing both in family houses and in smaller buildings with intrinsic or forced circulatory system.

The boiler universality lies in an optional conversion from solid fuel combustion to gas/oil fuels (P / N versions). The cast-iron boiler body has a long service life and low chimney draught demands.

A simple operation – adjusting elements include only a chimney damper serving for admission for air that is necessary for combustion. Sufficiently big feed entrance allows a simple firing with lump wood.

Boiler advantages

- ▶ High service life of the cast-iron exchanger
- ▶ Wide range of power output according to the segment number
- ▶ 5-year boiler guarantee
- ▶ Reliability of adjusting and security elements
- ▶ Simple operation and maintenance
- ▶ Optional boiler conversion from fuel combustion to gas or liquid fuels
- ▶ Easy boiler shell assembly in a boiler room
- ▶ Low demands on a chimney draught
- ▶ Magnified feed entrance at the D version for firing with bigger wood pieces – almost of 220 mm diameter



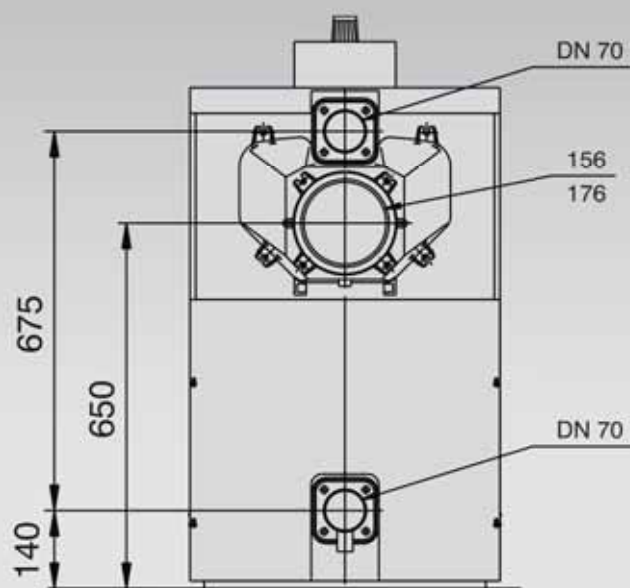
Coke



Hard coal



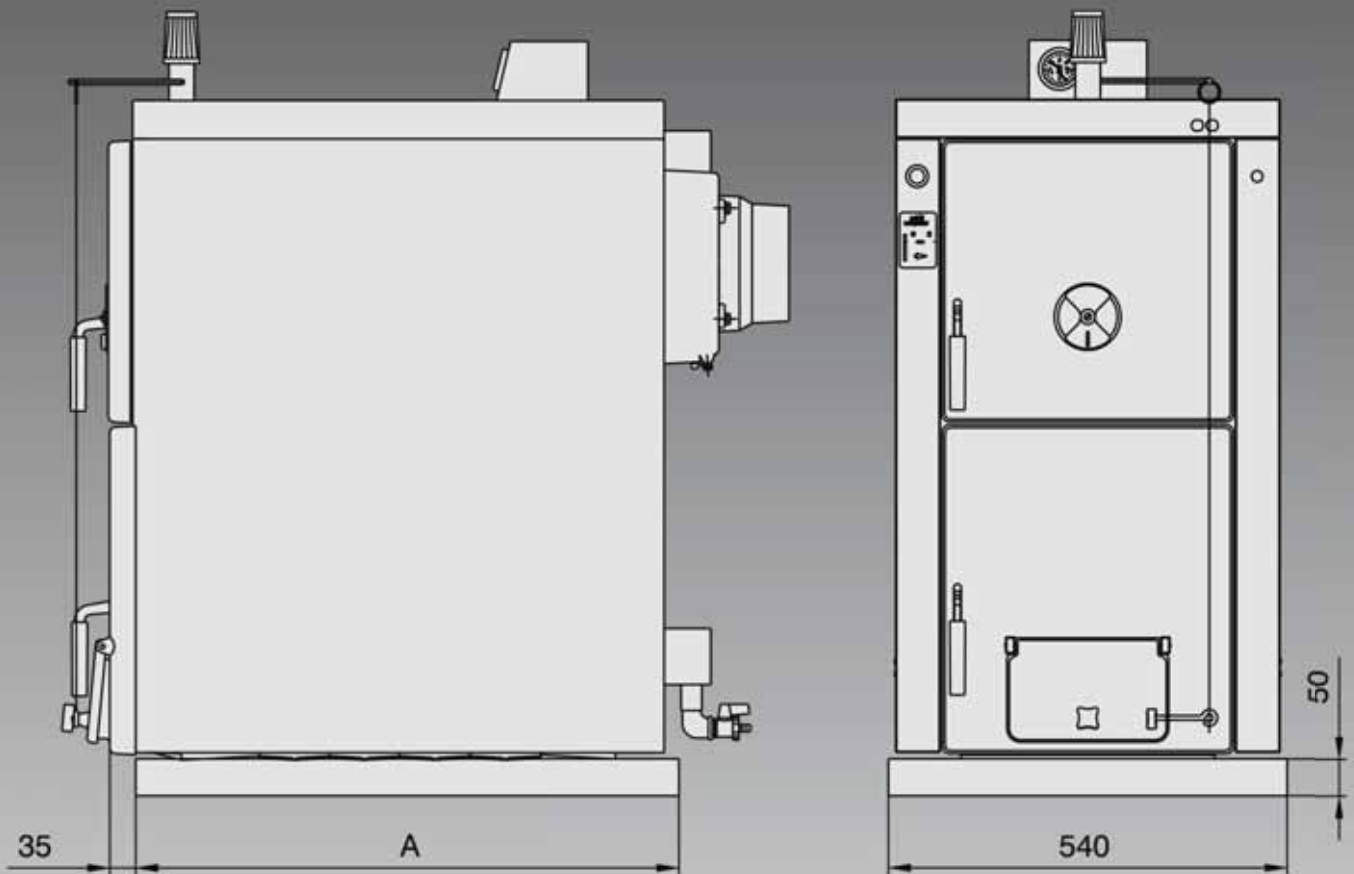
Lump wood



Dimensional schema (mm)

VIADRUS

www.viadrus.cz



A fire hole



Draught control

VIADRUS

ŽDB GROUP a.s. / závod VIADRUS
 Bezručova 300 / 735 93 Bohumín / CZ
 Tel.: +420 596 083 050 / Fax: +420 596 082 822
 www.viadrus.cz / info@viadrus.cz
 ŽDB GROUP a.s., Člen skupiny KKCG Industry

Basic technical parameters

Number of segments	pcs	2	3	4	5	6	7	8	9	10
Power output – coke, hard coal / wood	kW	11,7 / -	17,7 / -	23,3 / 20	29,1 / 25	34,9 / 30	40,7 / 35	46,5 / 40	52,3 / 45	58,1 / 49
Max. efficiency – coke, hard coal / wood	%	80 / -	80 / -	80 / 78	80 / 78	80 / 78	80 / 78	80 / 78	80 / 78	80 / 78
Weight (U22C / U22D)	kg	195 / -	232 / -	268 / 257	304 / 295	342 / 333	380 / 371	418 / 409	456 / 447	494 / 485
Depth / „A“ dimension	mm	560/325	655/420	750/515	845/610	940/705	1035/800	1130/895	1225/970	1320/1085
Total height incl. control box	mm	974	974	974	974	974	974	974	974	974
Width	mm	520	520	520	520	520	520	520	520	520
Burning chamber depth	mm	149	244	339	434	529	624	719	814	909
Water space volume	l	21	34	47	60	73	86	99	112	125
Smoke pipe inside diameter	mm	156	156	156	156	156	156	156	176	176
Boiler connections – heating / return water	-	1 ½”	1 ½”	1 ½”	1 ½”	1 ½”	1 ½”	1 ½”	1 ½”	1 ½”
Min. chimney draught	mbar	0,12	0,14	0,16	0,18	0,20	0,22	0,24	0,26	0,28
Waste gases temp. max. – coke, hard coal / wood	°C	280 / 320	280 / 320	280 / 320	280 / 320	280 / 320	280 / 320	280 / 320	280 / 320	280 / 320
Recommended operating temperature of heating water	°C	60 - 90	60 - 90	60 - 90	60 - 90	60 - 90	60 - 90	60 - 90	60 - 90	60 - 90

Recommended fuel	Granularity (mm)	Fuel moisture (%)	Versions	
Coke	30 - 60	max. 15	VIADRUS U 22 C	solid fuels - coke, hard coal, wood
Hard coal	30 - 60	max. 15	VIADRUS U 22 D	wood (possibly coke, hard coal)
Wood		max. 25	VIADRUS U 22 P	gas fuels - natural gas
			VIADRUS U 22 N	liquid fuels - extra-light heating oil



Control box versions

Your dealer: